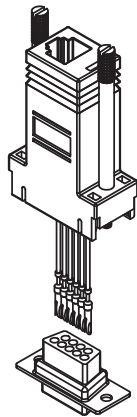
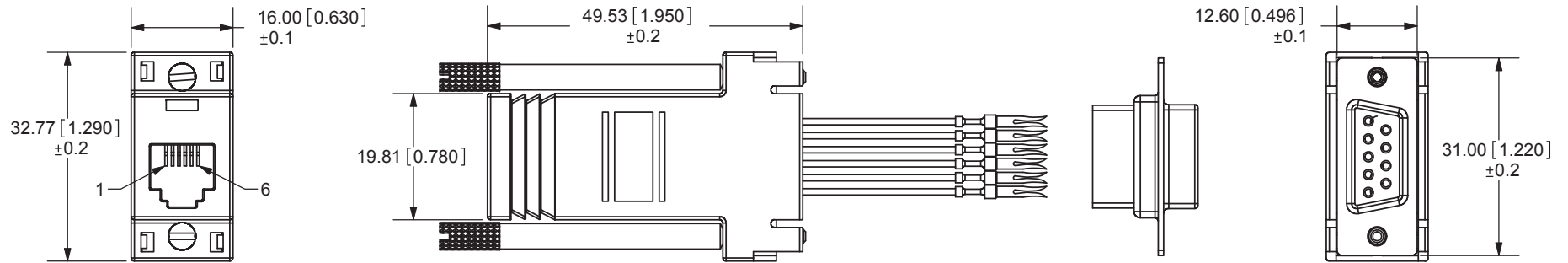


REV.	DESCRIPTION	DATE
A	NEW DRAWING	1/9/2008



SCALE: 1:2

WIRING CHART	
RJ12	WIRE COLOR
1	white
2	black
3	red
4	green
5	yellow
6	blue

	MATERIAL	PLATING
DB-09 CONNECTOR	Steel	Tin
RJ12 CONTACTS	Phosphor Bronze	Gold over Nickel
CRIMP CONTACT	Brass	Gold over Nickel
THUMBSCREW	N/A	
HOUSING	Thermoplastic	94-0 Rated

TOLERANCE:  
±0.3mm UNLESS OTHERWISE  
SPECIFIED



20050 SW 112th Ave.  
Tualatin, OR 97062  
Phone: 503-612-2300  
800-275-4899  
Fax: 503-612-2383  
Website: www.cui.com

TITLE: MODULAR ADAPTER, RJ12 TO DB-09 FEMALE		REV: A
PART NO. AMK-0003	UNITS: MM [INCHES]	
DRAWN BY: ZRJ	APPROVED BY:	SCALE: 1:1

PC FILE NAME:  
AMK-0003

COPYRIGHT 2008 BY CUI INC.